

## INSERT WASHERS

These handy washers are made to protect the top of holes from galling or collapsing around studs or bolts. They're ideal for head bolt holes, mid-motor plates, or any other high-wear area that requires a washer. Easy to install by just oversizing hole and pressing in washer. ARP Insert Washers are fully CNC machined from premium thru-hardened 8740 stock.

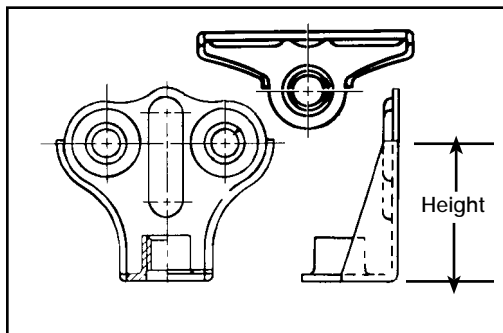
*Note: Step washers for Ford applications also listed on head bolt pages*



Insert ID	Insert OD	OD Size	1 PC-Bulk	2 PC-Pack	10 PC-Pack
1/4	.318	.562	200-8560	200-8565	200-8570
5/16	.380	.625	200-8561	200-8566	200-8571
3/8	.443	.750	200-8562	200-8567	200-8572
7/16	.571	.812	200-8563	200-8568	200-8573
7/16	.529	.875	200-8596	200-8597	200-8598
1/2	.567	.875	200-8564	200-8569	200-8574

## STAND-OFF BRACKETS

These handy devices are excellent for attaching hydraulic lines, control cables or wire bundles to the chassis. They're stamped from **125,000 psi** steel, heat-treated, and cadmium plated for extra durability. They have a ribbed back for extra strength. Attach with 10/32 bolts. Available in three heights.



Application	Part No.
10.32 x .465" Height	200-9301
10.32 x .465" Height, radiused back	200-9305
10.32 x .665" Height	200-9302
10.32 x .865" Height	200-9303

## WELD BUNGS

ARP has introduced a line of premium quality weld-in bungs. The parts are CNC machined from solid aluminum billet (6061) or 1018 mild steel. Applications include, but are not limited to: oil or fuel tanks, radiators, valve covers, manifolds, and rear axle housings. Fittings are available with female pipe threads, male AN, and female O-ring types. The fittings come in sizes: 1/4, 3/8, 1/2, 3/4, and 1 inch sizes; NPT -6 thru -20 AN; and -6 thru -20 O-ring sizes.



### NPT

Aluminum		Steel	
Size	Part No.	Size	Part No.
1/4	800-8101	1/4	800-8201
3/8	800-8102	3/8	800-8202
1/2	800-8103	1/2	800-8203
3/4	800-8104	3/4	800-8204
1	800-8105	1	800-8205

### AN Male

Aluminum		Steel	
Size	Part No.	Size	Part No.
AN6	800-8106	AN6	800-8206
AN8	800-8107	AN8	800-8207
AN10	800-8108	AN10	800-8208
AN12	800-8109	AN12	800-8209
AN16	800-8110	AN16	800-8210
AN20	800-8111	AN20	800-8211

### AN O-Ring

Aluminum		Steel	
Size	Part No.	Size	Part No.
-6	800-8112	-6	800-8212
-8	800-8113	-8	800-8213
-10	800-8114	-10	800-8214
-12	800-8115	-12	800-8215
-16	800-8116	-16	800-8216
-20	800-8117	-20	800-8217

800-826-3045

